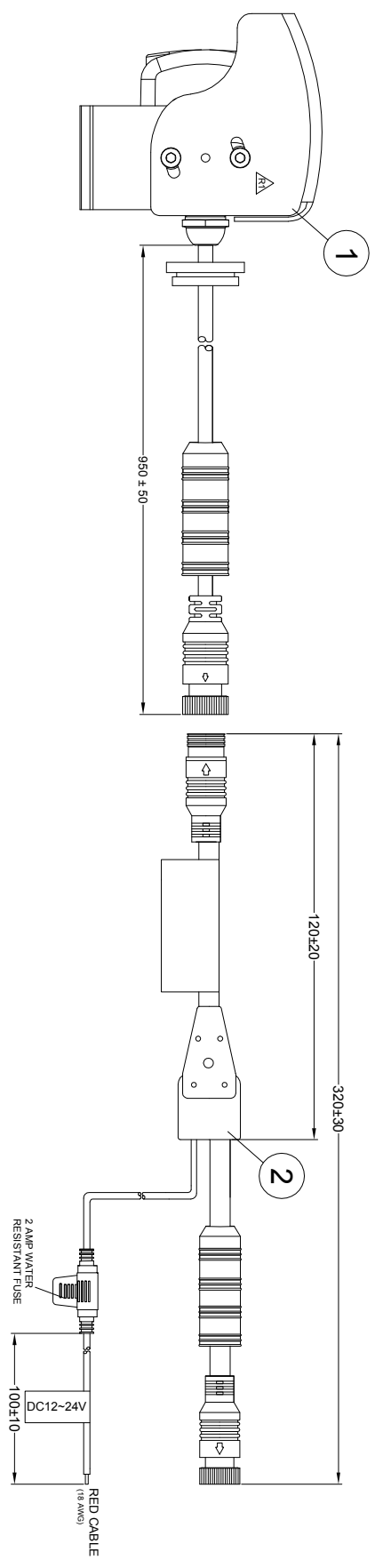


Revision Notes:
 R1 - CAMERA SUNSHIELD APPEARANCE UPDATED AS PER ECR CRA-292
 APA: Y.ZHANG Drawn: BATES Checked: A.FEDERIGHI Approved: G.PILITH Date: 10/07/16

ITEM	PART NO	QTY	MODEL/DESCRIPTION
①	(#2841A)	1	VBV-711C CAMERA
②	(#3702)	1	AC-035 ADAPTER CABLE



- NOTES:**
- REFER TO COMPONENT DRAWINGS AND SPECIFICATIONS FOR COMPONENT DETAILS
 - FOR GIFTBOX LABEL REFER TO LATEST REVISION OF DRAWING BE-002783-XX-13.
 - FOR PACKAGING DETAIL REFER TO LATEST REVISION OF DRAWING BE-001983-XX-12.

PROPRIETARY NOTICE
 THIS DESIGN AND TECHNICAL INFORMATION APPEARING ON THIS DRAWING IS THE PROPERTY OF BRIGADE ELECTRONICS, AND IS DISCLOSED IN CONFIDENCE. IT IS NOT TO BE COPIED, REPRODUCED, REVEALED TO OR EXPLOITED BY OTHERS, EITHER IN WHOLE OR IN PART WITHOUT THE EXPRESS WRITTEN CONSENT OF BRIGADE ELECTRONICS.

BRIGADE®
 www.brigade-electronics.com

Assembly PI Approval DONGQING LIN (20/07/14)		Approved by B.JOHN		Checked by M.BUTLER		Drawn by R.BATES	
Angle of Projection 		Units mm		Scale N/A		Released 20/07/14	
Status RELEASED		Part No 3708A		Assembly Ref -		VBV-711(A/C)	